

Tag Information


Each tag is printed with a label similar to the one below.


097.002-BA001 0311864005

This information tells the user the type of tag, the date of manufacture, the facility code and the tag number.

PPP.PPP-???### YYMXTTTT

PPP.PPP The last six digits of part number for the tag.
 ??? The enabled modes on the tag. "B" Beacon, "R" Replaceable Battery, "C" Panic, "A" Ambient Temperature, "T" Tamper, "D" Disable, "G" Clicker
 ### If a beacon tag, states how many minutes between each beacon transmission cycle.
 YY The year of manufacture.
 M The month the tag was made. A, B, C represent October, November and December, respectively. Other Months are represented by standard numeric convention.
 XX Facility Code in hexadecimal format.
 TTTTT Factory programmed tag identification number.

 Some Access tags have a replaceable battery with these tags Access recommends using the Panasonic 3V Lithium coin cell battery. **CAUTION!** Risk of explosion, if an incorrect type replaces battery. Dispose of used batteries according to the instructions.

 The default Facility Code on Access tags is "024". This number is "18" in hexadecimal format.

750.010.038 R03

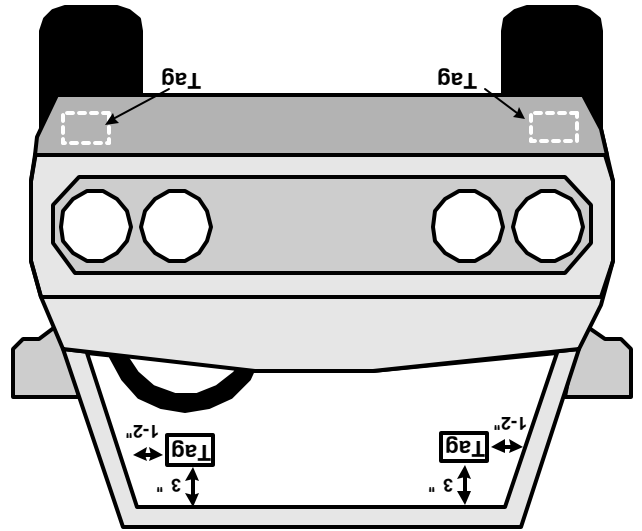


3208 Commander Drive
 Carrollton, Texas 75006
 800.588.6080 / FAX: 972.407.9085
 technical support: 800.577.6080
 www.accessinc.com

Vehicle Tag Mounting Guide



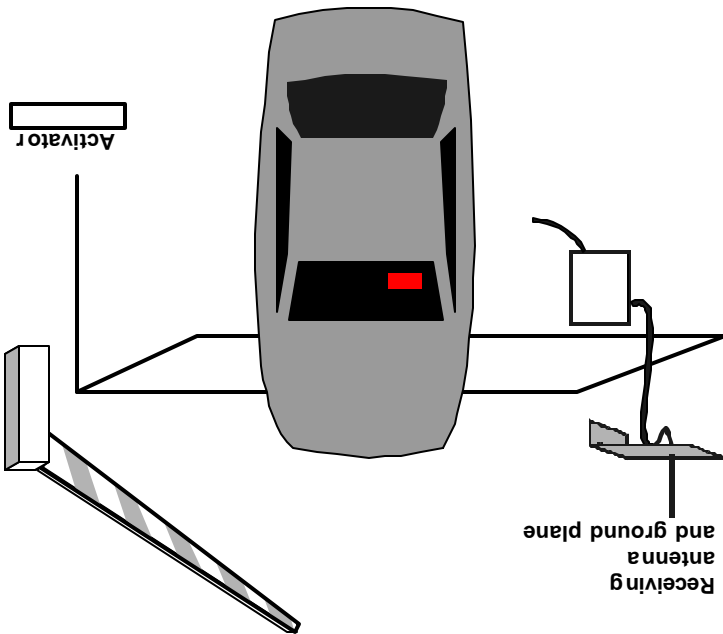
Do not mount tags on metallized window film. Doing so will reduce the performance of the tag.
 Tags may also be mounted to the plastic of a vehicle's bumper provided there is no surrounding metal. The presence of metal will degrade the performance of the tag.



Mount the tag on the inside of the vehicle - 3 inches down and 1 to 2 inches in from the support pillar of the front windshield on the passenger side or driver side.

Tag Placement Locations

The tag should be located on the same side of the vehicle closest to the network receiver. The tags should be at a lower height than the whip antenna on the network receiver.



Tag location & the Receiver